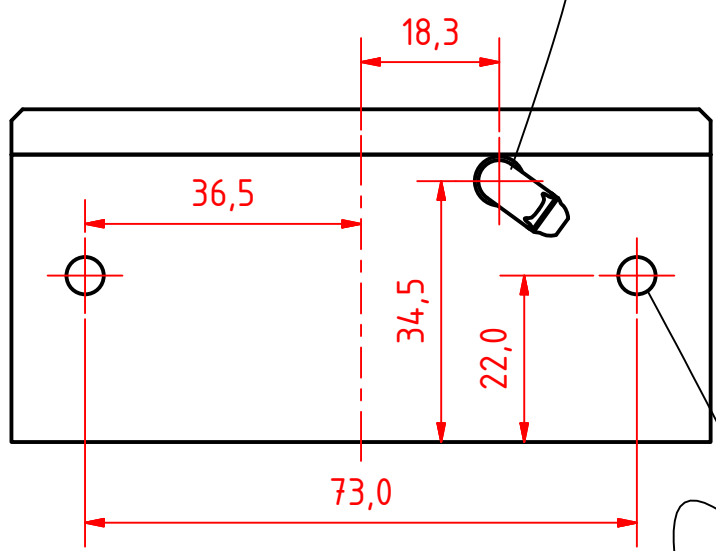


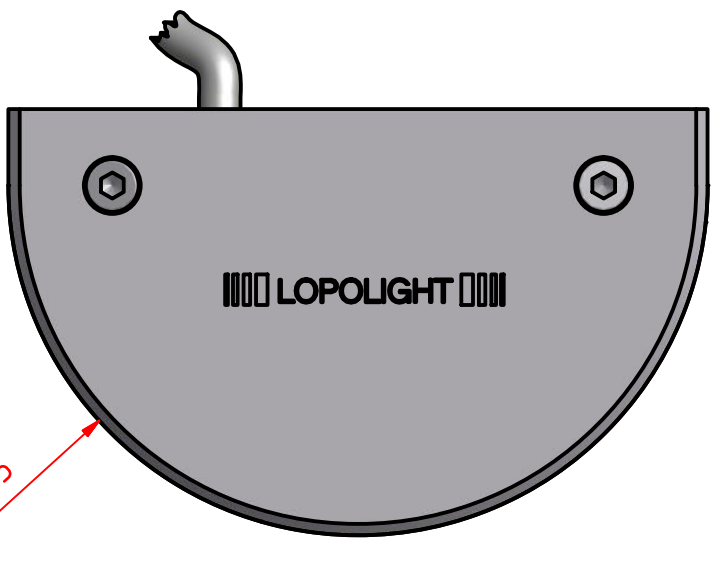
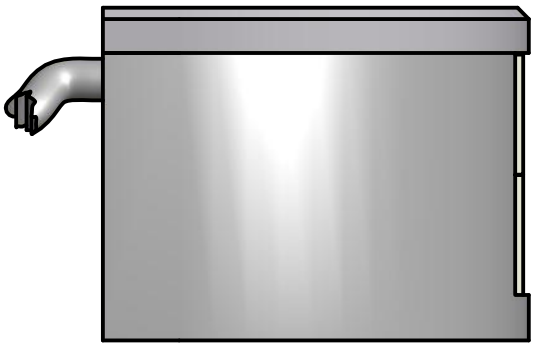
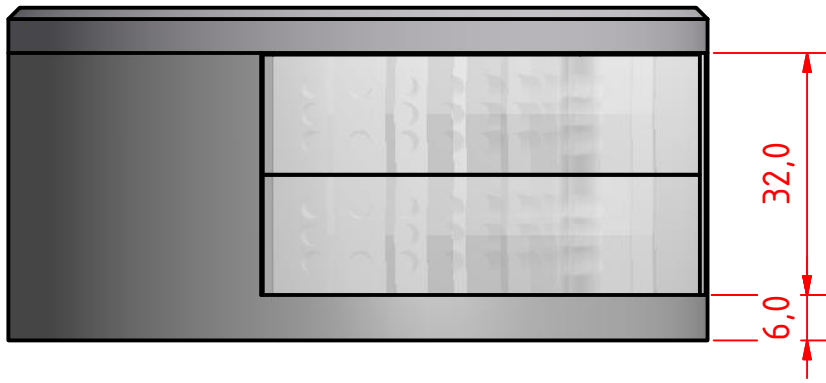
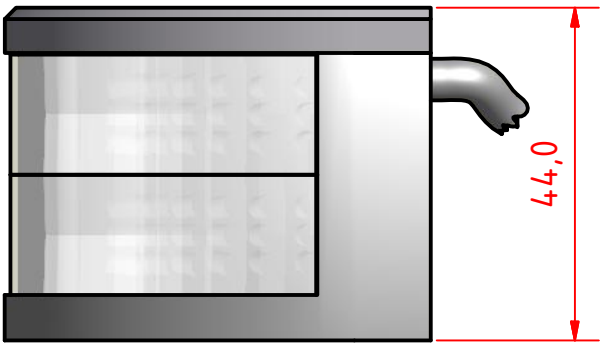
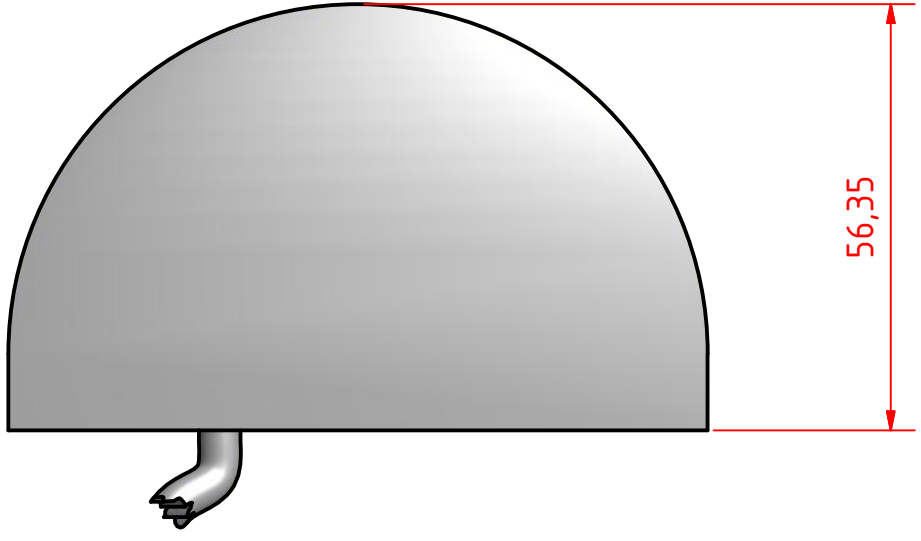
A B C D E F G H I J

1

Pre-wired Cable Exit Ø5,5mm shielded marine cable



threaded to receive M6 X 8mm machine screws (typ. 2)



300-101 3nm Starboard Sidelight Vertical Mount

DRAWING NO.: 300-101	REV. NO.: 0	SIZE: A3	DRAWN BY: Paul
SCALE: 1:1	TOLERANCES: DS/ISO 2768-f	REVIEWED BY: JM	

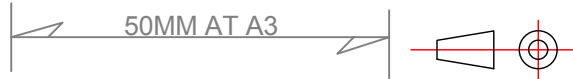
MATERIAL DESCRIPTION:
Aluminium & Acrylic

This Drawing, and the information within, is the property of Lopolight ApS and may not be used in any form without express permission there from. Lopolight reserves the right to change this drawing and assumes no liability for the information communicated herein. Use of dimensions and other information in this drawing is at the users own risk.



Lopolight ApS
Ved Klaedebo 12
DK-2970, Hoersholm
Denmark

Tel:(+45) 32 48 50 30 Fax:(+45) 32 48 50 32
info@lopolight.com



8

A B C D E F G H I J