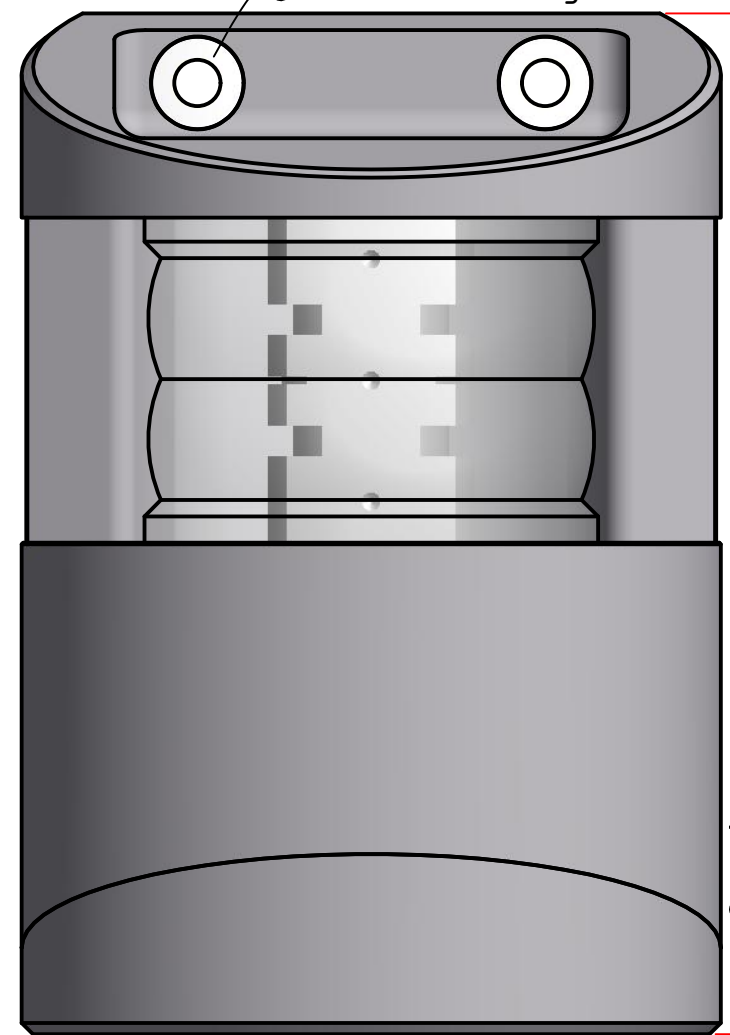
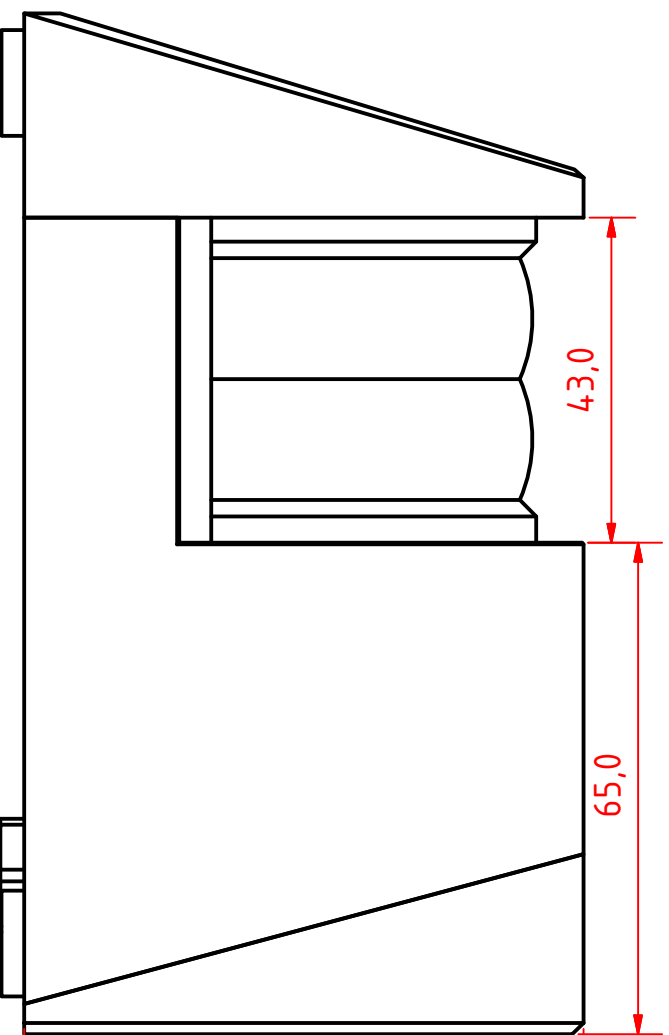


Nylon Insulators for 4 pcs. 6mm
DIN 912 mounting Screws



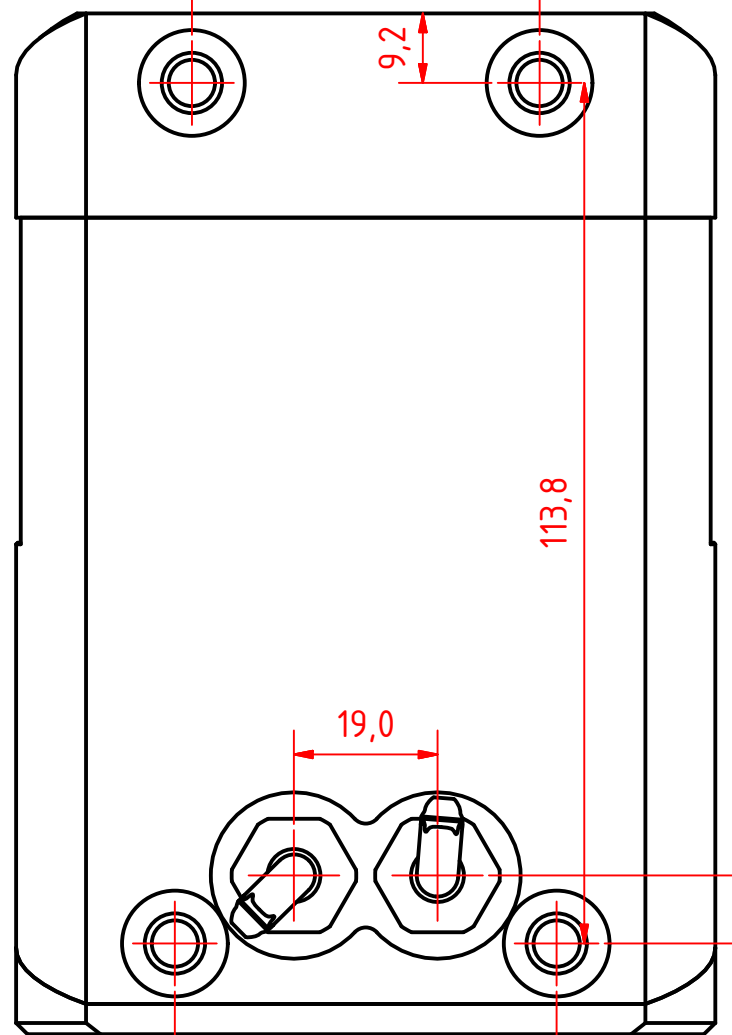
135,0



43,0

65,0

74,0



46,0

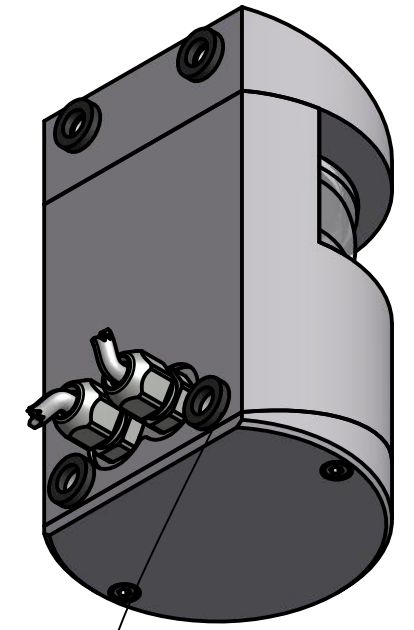
9,2

113,8

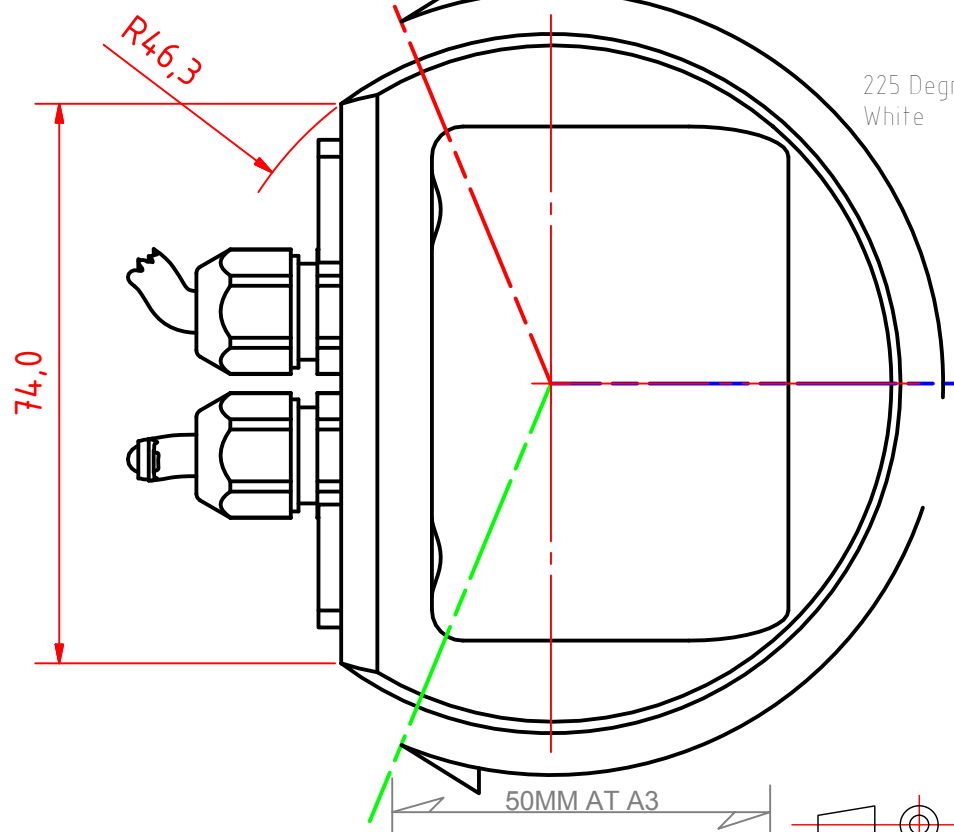
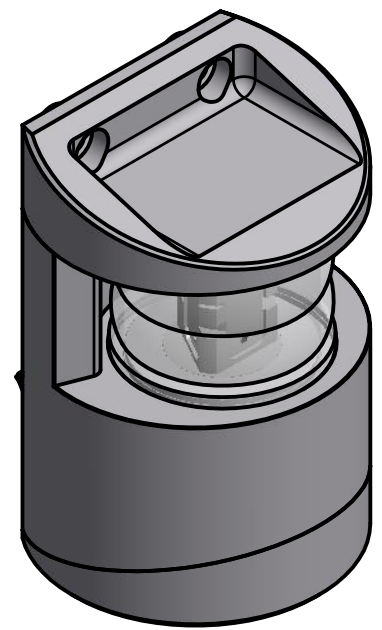
19,0

50,5

9,0



Rubber insulator rings keep the lantern isolated from the superstructure.



R46,3

74,0

225 Degrees
White

50MM AT A3

- For a Cable Down Version of this Lantern please refer to Drawing No. 300-039CD
- Surfaced with 50 microns of "Graphite" coloured anodizing.

300-039 5nm Masthead Double, Vertical Mount

DRAWING NO.: 300-039	REV. NO.:	SIZE: A3	DRAWN BY: Paul
SCALE: 1:1	TOLERANCES: DS/ISO 2768-f	REVIEWED BY: JM, PHH	

MATERIAL DESCRIPTION:
Aluminium & Acrylic

This Drawing, and the information within, is the property of Lopolight ApS and may not be used in any form without express permission there from. Lopolight reserves the right to change this drawing and assumes no liability for the information communicated herein. Use of dimensions and other information in this drawing is at the users own risk.



Lopolight ApS
Ved Klaedebo 12
DK-2970, Hoersholm
Denmark

www.lopolight.com

Tel:(+45) 32 48 50 30 Fax:(+45) 32 48 50 32
info@lopolight.com