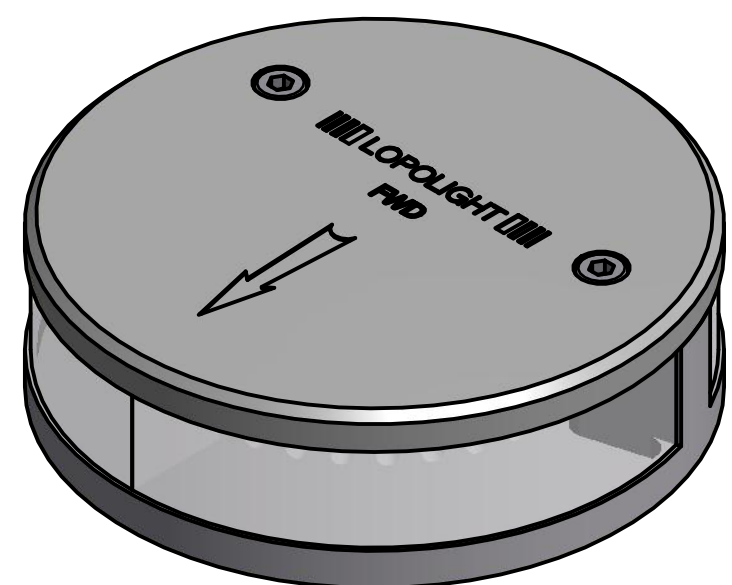
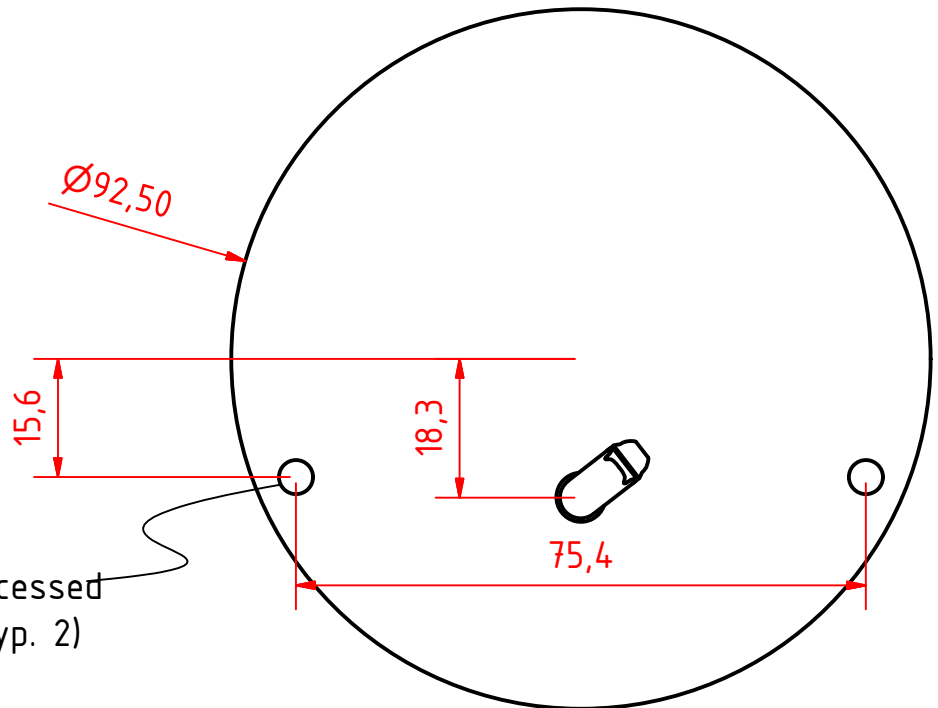
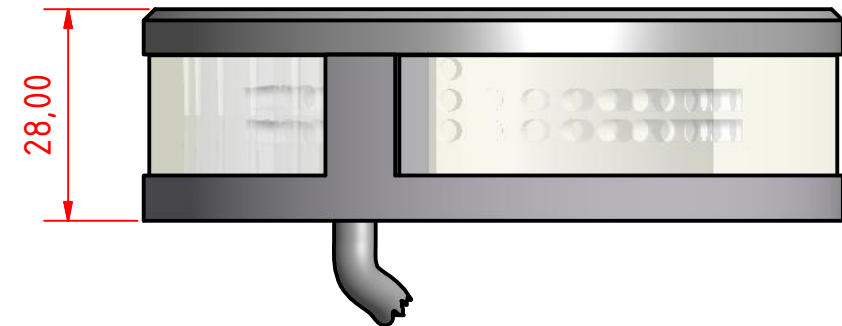
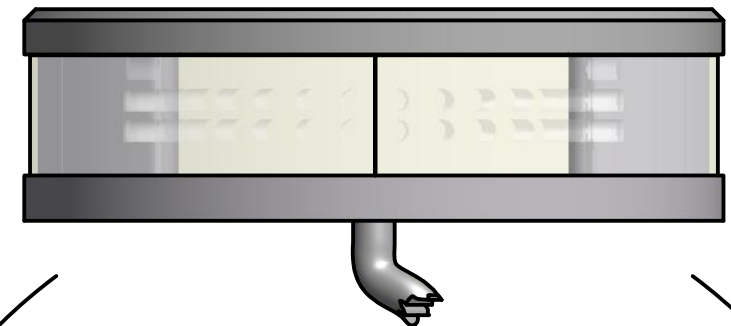
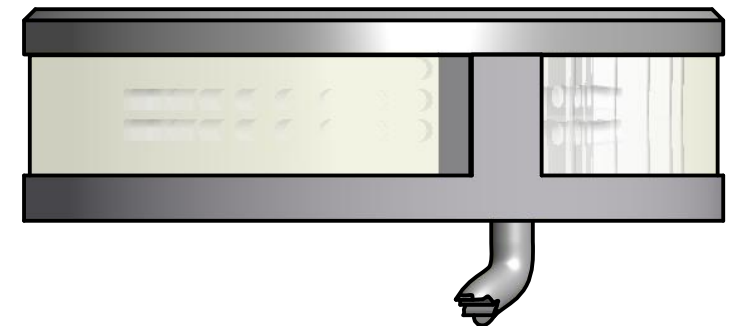


A B C D E F G H I J

1 2 3 4 5 6 7 8

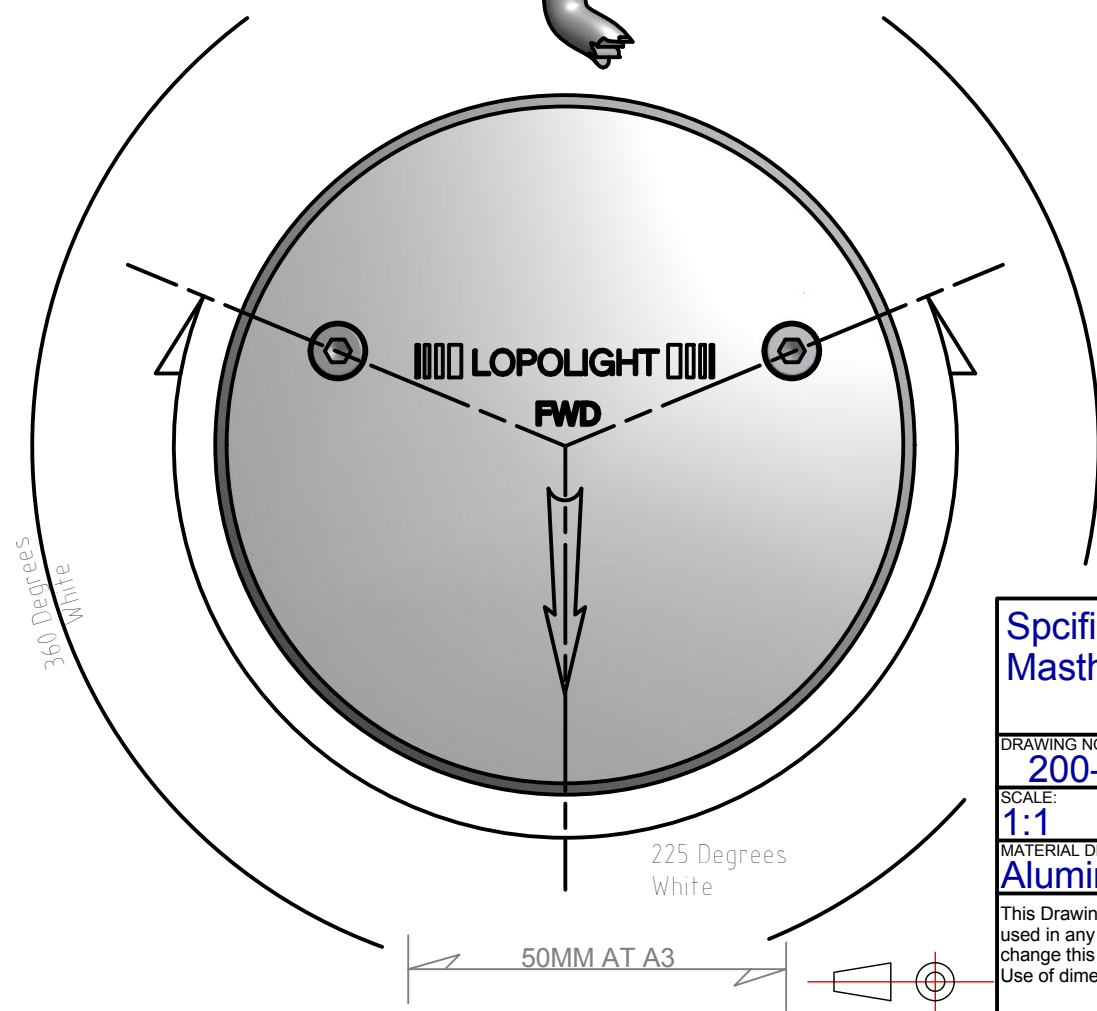


Bored to receive DIN 912, M4 machine screws which are accessed under the lid from the top (typ. 2)



28,00

Pre-wired Cable Exit Ø5,5mm shielded marine cable (Typ. 2)



Spcification Drawing, Model No. 200-020 Masthead Steaming Ligh with Anchor

| | | | |
|--------------------------------|-------------------------------------|----------------------------|--------------------------|
| DRAWING NO.: 200-020 | REV. NO.: | SIZE: A3 | DRAWN BY: Paul |
| SCALE: 1:1 | TOLERANCES: DS/ISO 2768-f | REVIEWED BY: PHH | |

MATERIAL DESCRIPTION:
Aluminium & PMMA

This Drawing, and the information within, is the property of Lopolight ApS and may not be used in any form without express permission there from. Lopolight reserves the right to change this drawing and assumes no liability for the information communicated herein. Use of dimensions and other information in this drawing is at the users own risk.



Lopolight ApS www.lopolight.com
 Ved Klaedebo 12
 DK-2970, Hoersholm
 Denmark

Tel:(+45) 32 48 50 30 Fax:(+45) 32 48 50 32
 info@lopolight.com

A B C D E F G H I J

8