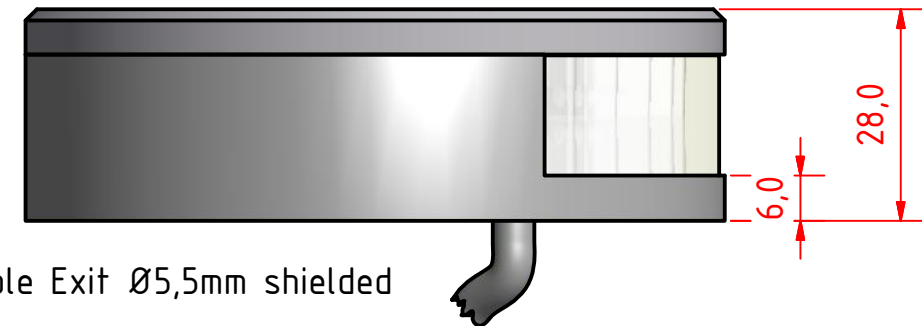
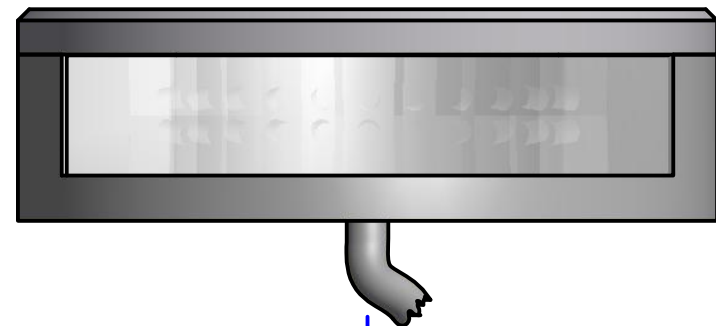
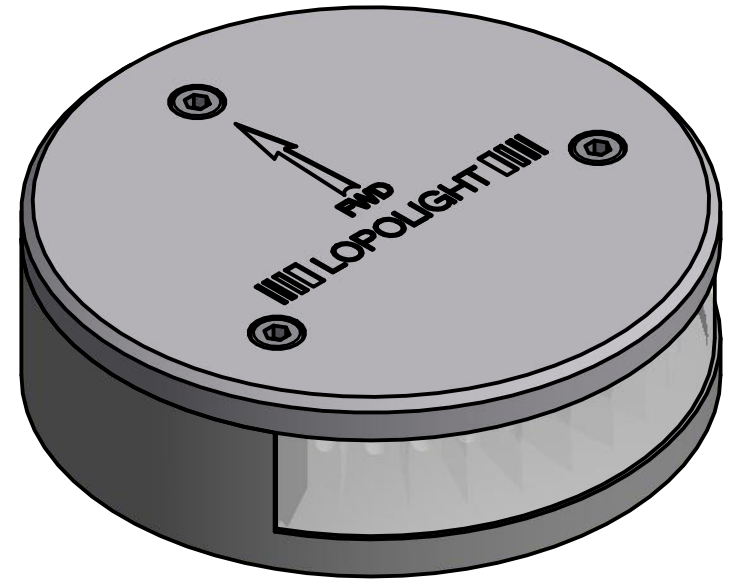
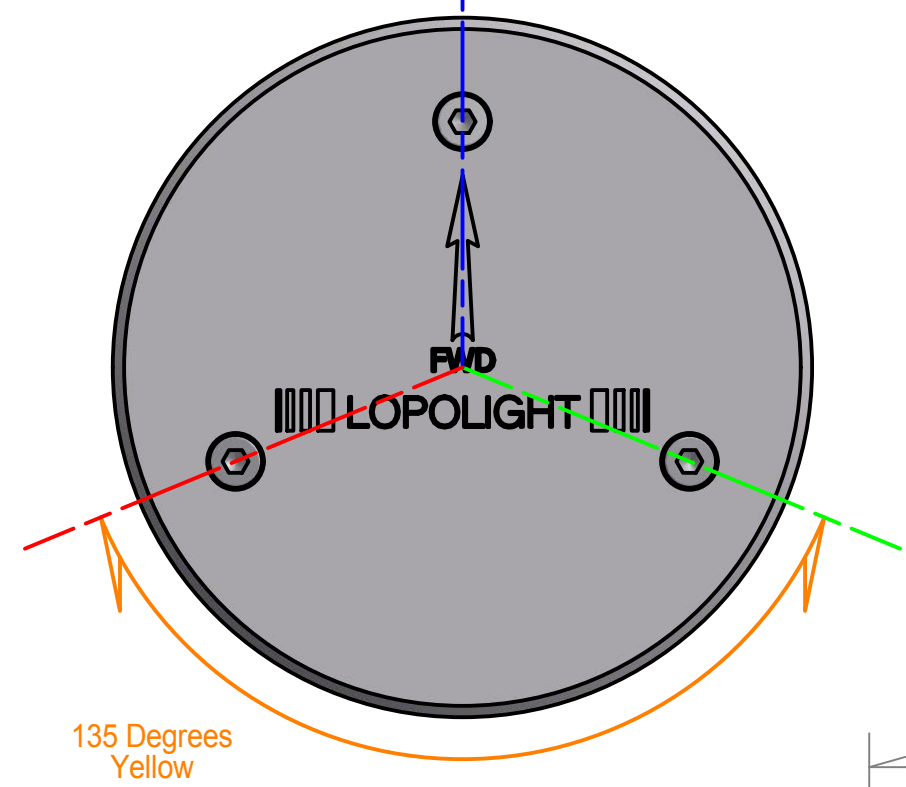


3 pieces, 4mm DIN 912 mounting screws.
Accessible from the top, under the lid.
Mount directly to the vessels structure
or to a Lopolight mounting base.



Pre-wired Cable Exit Ø5,5mm shielded
marine cable



200-013 135deg Yellow towing Light

DRAWING NO.: 200-013	REV. NO.: 0	SIZE: A3	DRAWN BY: Paul
SCALE: 1:1	TOLERANCES: DS/ISO 2768-f	REVIEWED BY: JM	

MATERIAL DESCRIPTION:
Anodized Aluminum & Acrylic Glass

This Drawing, and the information within, is the property of Lopolight ApS and may not be used in any form without express permission there from. Lopolight reserves the right to change this drawing and assumes no liability for the information communicated herein. Use of dimensions and other information in this drawing is at the users own risk.



LOPOLIGHT
Lopolight ApS
Ved Klaedebo 12
DK-2970, Hoersholm
Denmark
www.lopolight.com

Tel:(+45) 32 48 50 30 Fax:(+45) 32 48 50 32
info@lopolight.com

